

BPC-300-6120

Intel Ultra Low Voltage Celeron 400MHz Box PC with CRT, Fast Ethernet, Audio, USB and Compact Flash Disk Socket

Box PC



Features

- Intel Ultra Low Voltage Celeron 400MHz CPU
- 1 x 144pin SO-DIMM up to 512MB SDRAM
- Support CRT Output
- LAN 10/100Mbps, Intel 82562ET
- Mini PCI Expansion socket
- Compact Flash Disk Type I/II socket
- Easily accessible 2.5" HDD tray from top cover

System

CPU	Intel Ultra Low Voltage Celeron 400MHz CPU FSB100MHz
Cache	2nd level 256KByte
Memory	1 x 144Pin SO-DIMM up to 512MB SDRAM
Chipset	Intel 815E + Intel ICH2
BIOS	Phoenix-AWARD PnP Flash BIOS
Flash Disk	1 x Type II Compact Flash Disk Socket
Watchdog Timer	127-level Reset
Serial port	3 x RS-232 ports (COM1/3/4) 1 x RS-232/422/485 port (COM2)
Parallel port	SPP/EPP/ECP mode
USB port	4 x USB 1.1 compliant
Expansion BUS	1 x 32bit/33MHz Mini PCI socket
LAN	Intel 82562ET 10/100base-T
Audio	Realtek ALC202A AC97 Codec, support Mic-in/Line-in/ Line-out

I/O

Serial port	1 x RS-232 port (COM1) 1 x RS-232/422/485 port (COM2)
USB port	2 x USB1.1 compliant
KB & MS	1 x PS2 K/B and Mouse
LAN	1 x RJ45
Switch	1 x power ON/OFF, 1 x Reset
Audio	Mic-in, Line-in, Line-out
LED	1 x power 1 x HDD
Display	1 x DB15
Flash Disk	1 x Type II Compact Flash Disk socket
HDD Drive	1 x 2.5" HDD bay

Display

Graphics Chipset	Intel 815E Graphics Engine up to 32MByte UMA Video RAM
Graphics Interface	CRT support up to 1280 x 1024 DVI support 12bit up to 1024 x 768

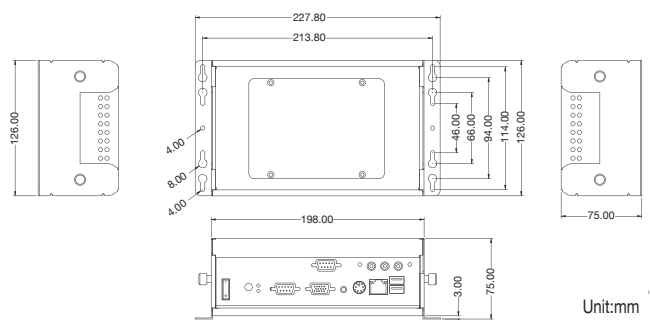
Power Supply

AC power Input	90 ~ 260V/50 ~ 60Hz 1.5A max.; 12V @ >3Am
DC power Output	+12Vdc±5% @ 4.2A max., 50W

Mechanical & Environmental

Operating Temp.	0 ~ 40°C
Dimension (W x D x H)	198 x 126 x 72mm (7.8" x 5" x 2.8")
Weight	1.37 kg (3 lb)
Mounting	Wallmount or Desktop

Dimensions



Ordering Information

BPC-300-6120	Intel Ultra Low Voltage Celeron 400MHz Box PC with CRT, Fast Ethernet, Audio, USB and Compact Flash Disk Socket, including AC-DC power adaptor +12V@4.2A
Optional	CPU: Intel Ultra Low Voltage Celeron 650MHz, LV Pentium III 800MHz & LV Pentium III 933MHz Display: SMI 722, 64bits GUI 3D Engine (8MB on-die), support CRT/Flat panel (TTL/LVDS) and Dual Display External I/O Serial port: Additional 2 x RS-232 ports (COM3/4) TV-output