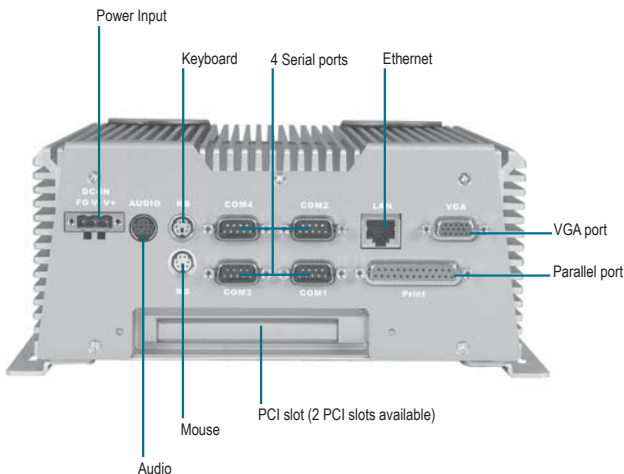
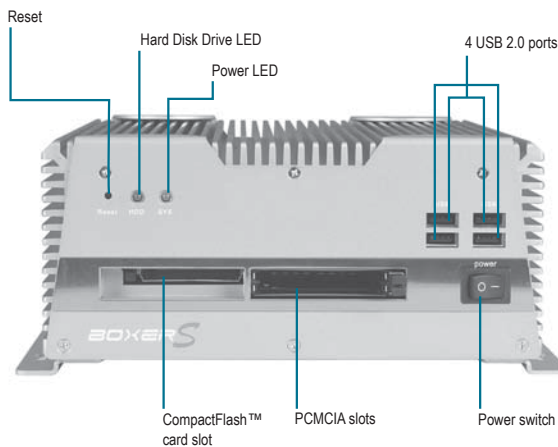


AEC-6910

Industrial Computing Platform Partner

Advanced Fanless Embedded Controller with Intel[®] Pentium[®] M/ Celeron[®] M Processors and PCI Expansion



Features

- Fanless Design
- Intel[®] Pentium[®] M (up to 2.0GHz)/ Celeron[®] M Processors
- 1 PCI (optional 2nd PCI)/ 2 PCMCIA Slots
- Wide Range DC or AC Power Input
- Ethernet/ 4 COM/ 4 USB/ Audio/ Parallel/ CFD
- Anti-vibration and Shock Resistant
- Machine Control, Security Node, Data Analyzer Platform

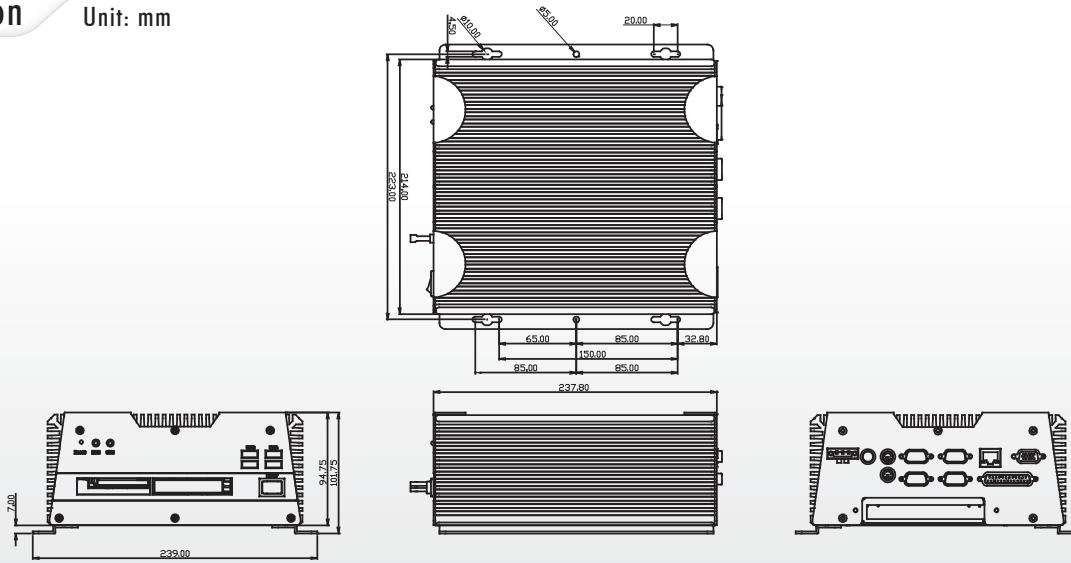


Specifications

System	
Processor	Intel [®] Pentium [®] M (up to 2.0GHz)/ Celeron [®] M Processor
System Memory	DDR SDRAM DIMM x 1, Max. 1 GB
Expansion	PCI x 1 (optional 2), PCMCIA slot x 2
VGA/ Keyboard/ Mouse	DB-15 VGA Connector, PS/2 Keyboard & Mouse
Ethernet	10/100Base-TX RJ-45 connector x 1
SSD	Type II CompactFlash™ slot x 1
Hard Disk Storage	2.5" Slim Hard Disk Drive Bay
Serial Port	RS-232 x 3, RS-232/422/485 x 1
Audio	Mic-in/ Line-in/ Line-out , requires extension cable
USB	USB 2.0 port x 4
Parallel Port	Printer port x 1
System Control	Power on/ off switch x 1, Reset button x 1
LED Indicator	Power LED x 1, Hard Disk Drive active LED x 1
Watchdog Timer	Generates a time-out system reset, setting via software
Power Supply	1. DC Input: Internal DC-DC Converter (Default) Input voltage: 9V DC ~ 30V DC
	2. AC Input: External Power Adapter (Optional) Input voltage: 100V AC ~ 240V AC @ 50 ~ 60Hz
OS Support	Windows [®] XP, Windows [®] 2000, Windows [®] XP Embedded
Mechanical	
Construction	Rugged Aluminum Alloy chassis
Color	Mustard
Mounting	Wallmount
Dimension	8.4"(W) x 3.7"(H) x 9.4"(D) - 1 PCI (214mm x 94.8mm x 237.8mm)
	8.4"(W) x 4.6"(H) x 9.4"(D) - 2 PCI (214mm x 117.5mm x 237.8mm)
Carton Dimension	13.2"(W) x 11.6"(H) x 10.2"(D) (336mm x 294mm x 260mm)
Net Weight	12.4 lb (5.63kg) - 1 PCI
	13.7 lb (6.21kg) - 2 PCI

Dimension

Unit: mm



Environmental	
Operating Temperature	5°F ~ 131°F (-15°C ~ 55°C) (P-M 1.6GHz, CFD) 5°F ~ 122°F (-15°C ~ 50°C) (P-M 1.6GHz, Automotive Hard Disk Drive) 5°F ~ 113°F (-15°C ~ 45°C) (P-M 1.6GHz, Normal Hard Disk Drive)
Operating Humidity	5~95%@40°C, non-condensing
Vibration	5 grms/ 5 ~ 500Hz/ random operation (CFD) 1 grms/ 5 ~ 500Hz/ random operation (Internal Hard Disk Drive active Module)
Shock	50 g peak acceleration (11 msec. duration) (CFD) 20 g peak acceleration (11 msec. duration) (Hard Disk Drive Module)
EMC	CE/FCC class B, UL

Ordering Information

- **AEC-6910-A1**
Embedded Controller, Intel® Pentium® M 1.6GHz CPU, Fanless, DC 9-30V, 1 PCI, 512MB RAM
- **AEC-6910-A2**
Embedded Controller, Intel® Celeron® M 1.3GHz CPU, Fanless, DC 9-30V, 1 PCI, 256MB RAM
- **AEC-6910-B1**
Embedded Controller, Intel® Pentium® M 1.6GHz CPU, Fanless, DC 9-30V, 2 PCI, 512MB RAM
- **AEC-6910-B2**
Embedded Controller, Intel® Celeron® M 1.3GHz CPU, Fanless, DC 9-30V, 2 PCI, 256MB RAM

Optional Accessories

- **1757912001**
AC Adapter (120W)
- **1702031830**
Power cord (US type)
- **1702031831**
Power cord (European type)
- **AP-HD9783202002**
Automotive Hard Disk Drive 20G (Fuji)

01

Medical Station Solutions - ONYX Series

02

Medical Display Solutions - ONYX Series

03

Operator Panel Solutions - OMNIX Series

04

Robust Panel PC Solutions

05

Embedded Controller - Boxer S Series

06

Embedded Controller - BOXER Series

07

Industrial Monitor Solutions

08

Sun-readable & Vehicle LCD Monitors

09

Industrial Workstation Solutions

10

Common Accessories