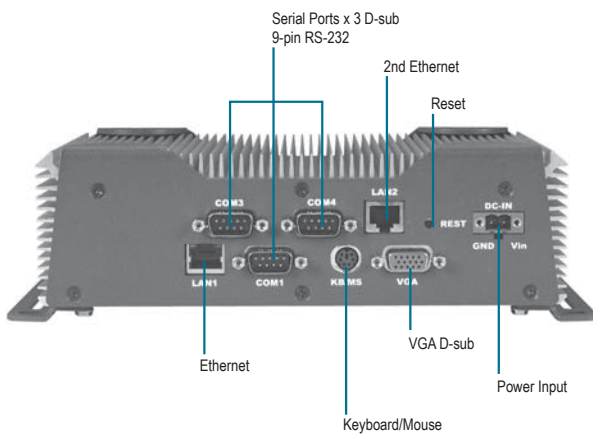
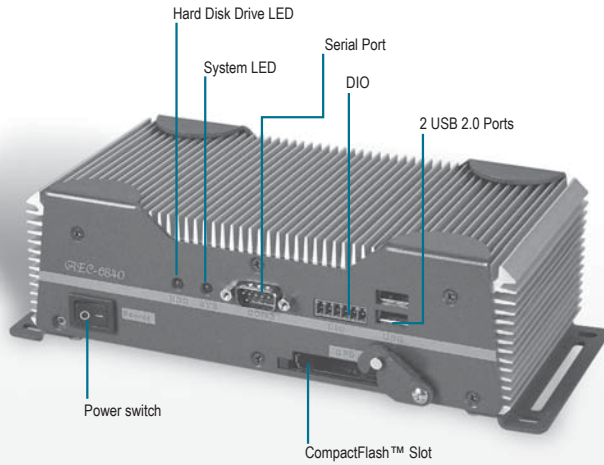


# AEC-6840

Industrial Computing Platform Partner

## Fanless Embedded Controller with Intel<sup>®</sup> ULV Celeron<sup>®</sup> 400/650MHz, 4 COM, Dual LAN



### Features

- Onboard Intel<sup>®</sup> ULV Celeron<sup>®</sup> 400/650MHz CPU
- Optional Dual LAN (Gigabit LAN)
- 4 COM/ Digital IO/ USB 2.0
- Anti-vibration Up to 5 g rms/ Anti-shock Up to 100g

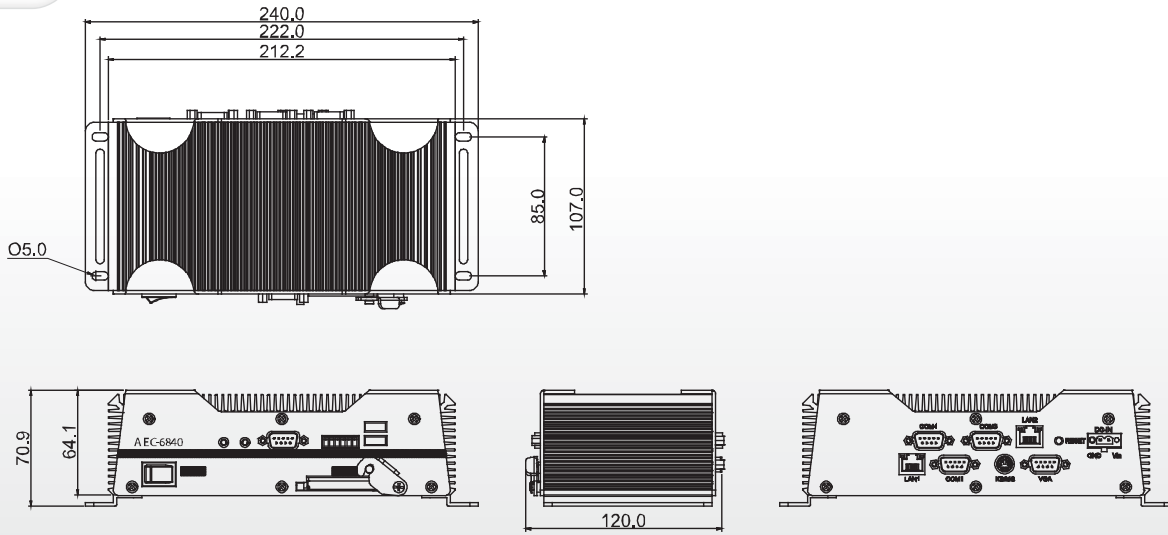


### Specifications

System	
Processor	Intel <sup>®</sup> ULV Celeron <sup>®</sup> 400/650MHz Processor
System Memory	DDR SDRAM SODIMM x 1, Max. 512MB
VGA/ Keyboard/ Mouse	DB-15 VGA Connector x 1, PS/2 Keyboard & Mouse
Ethernet	10/100Base-TX RJ-45 connector x 1, Optional second LAN (10/100 or gigabit)
SSD	Type II CompactFlash™ slot x 1
Hard Disk Storage	Optional 2.5" Slim Hard Disk Drive Module
Serial Port	RS-232 x 3, RS-232/422/485 x 1
Digital I/O	Supports 3 in & 3 out, up to 6 in or 6 out
USB	2 USB 2.0 ports
System Control	Power on/ off switch x 1, Reset button x 1
LED Indicator	Power LED x1, Hard Disk Drive active LED x 1
Watchdog Timer	Generates a time-out system reset, setting via software
Power Supply	1. DC Input <ul style="list-style-type: none"> <li>Internal DC-DC Converter (Standard)</li> <li>Input voltage: 9V DC ~ 30V DC</li> </ul>
	2. AC Input <ul style="list-style-type: none"> <li>External Power Adapter (Optional)</li> <li>Output rating: 36W (+12V@3A)</li> <li>Input voltage: 100V AC ~ 240V AC @ 50 ~ 60Hz</li> </ul>
OS Support	Windows <sup>®</sup> CE .NET 4.2, Windows <sup>®</sup> XP Embedded, Windows <sup>®</sup> XP, Windows <sup>®</sup> 2000
Mechanical	
Construction	Rugged Aluminum Alloy chassis
Color	Dark Blue
Mounting	DIN Rail, Wallmount
Dimension	8.35" (W) x 2.53" (H) x 4.21" (D) (212mm x 64mm x 107mm)
Net Weight	4.75lb (2.16kg)
Gross Weight	8.36lb (3.8kg)

Dimension

Unit: mm



Environmental	
Operating Temperature	5°F ~ 131°F (-15°C ~ 55°C)--- 650MHz(CFD) 5°F ~ 140°F (-15°C ~ 60°C)--- 400MHz(CFD)
Operating Humidity	5~95%@40°C, non-condensing
Vibration	5 g rms/ 5 ~ 500Hz/ random operation (CFD) 1 g/ 5 ~ 500Hz/ random operation (Hard Disk Drive)
Shock	100g peak acceleration (11 msec. duration) (CFD) 15g peak acceleration (11 msec. duration) (Hard Disk Drive)
EMC	CE/FCC class A

Ordering Information

- **AEC-6840-A1**  
Embedded Controller, Intel® ULV Celeron® 650MHz CPU, Fanless, DC 9-30V, 4 COM, Single LAN
- **AEC-6840-A2**  
Embedded Controller, Intel® ULV Celeron® 650MHz CPU, Fanless, DC 9-30V, 4 COM, Dual LAN
- **AEC-6840-A3**  
Embedded Controller, Intel® ULV Celeron® 650MHz CPU, Fanless, DC 9-30V, 4 COM, 100M+GbE LAN
- **AEC-6840-A4**  
Embedded Controller, Intel® ULV Celeron® 400MHz CPU, Fanless, DC 9-30V, 4 COM, Single LAN
- **AEC-6840-A5**  
Embedded Controller, Intel® ULV Celeron® 400MHz CPU, Fanless, DC 9-30V, 4 COM, Dual LAN
- **AEC-6840-A6**  
Embedded Controller, Intel® ULV Celeron® 400MHz CPU, Fanless, DC 9-30V, 4 COM, 100M+GbE LAN

Optional Accessories

- **9741681001**  
Hard Disk Drive Kit
- **9741681002**  
AC Input Adapter Kit
- **9741681003**  
DIN Rail Kit
- **9741681004**  
Ultra Cooling Kit
- **9741666643**  
1.8 g rms Vibration Protection Hard Disk Drive Kit for Vehicle
- **9681681000**  
USB to Parallel Port Adapter Kit
- **9789666605**  
USB to 4 Serial Ports Converter
- **9789666606**  
USB to 2 Serial Ports Converter
- **9741081006**  
Easy I/O Module
- **9741681007**  
UPS Battery Module
- **9789666614**  
GPS Module
- **9741681008**  
Slim CD ROM + 2.5" Hard Disk Drive Kit

01

Medical Station Solutions - ONYX Series

02

Medical Display Solutions - ONYX Series

03

Operator Panel Solutions - OMNI Series

04

Robust Panel PC Solutions

05

Embedded Controller - Boxer S Series

06

Embedded Controller - BOXER Series

07

Industrial Monitor Solutions

08

Sun-readable & Vehicle LCD Monitors

09

Industrial Workstation Solutions

10

Common Accessories