

	Fibre to Fibre RAID Subsystem		Fibre RAID Head	
	4G FC	4G FC	4G FC	4G FC
Product Image				
Model	F16F-R4031-6	F16F-S4031-6	FF-R4030-6	FF-S4030-6
Redundant Controller	Yes	Single upgradeable to redundant	Yes	Single upgradeable to redundant
Form Factor	3U Rackmount	3U Rackmount	1U Rackmount	1U Rackmount
Drive Bays	16	16	-	-
Max. Number of Drives	224 (4G FC)	224 (4G FC)	224 (4G FC) + 48 (SATA-II 3Gb/s)	224 (4G FC) + 48 (SATA-II 3Gb/s)
RAID Engine	ASIC400	ASIC400	ASIC400	ASIC400
RAID Levels	0, 1(0+1), 3, 5, 6, 10, 30, 50, 60	0, 1(0+1), 3, 5, 6, 10, 30, 50, 60	0, 1(0+1), 3, 5, 6, 10, 30, 50, 60	0, 1(0+1), 3, 5, 6, 10, 30, 50, 60
Host Channel	6CH, 4G FC with Hub function (2 SFP for each channel)		6CH, 4G FC with Hub function (2 SFP for each channel)	
Drive Channel	CH0,1: Host channel CH2,3: Drive Channel CH4,5: User Configurable as Drive or Host Channel		CH0,1: Host channel CH2,3: Drive Channel CH4,5: User Configurable as Drive or Host Channel	
Expansion Channel			For R : 2CH, SAS 4x, 2 x (SFF-8470) Expansion Ports For S : 1CH, SAS 4x, 1 x (SFF-8470) Expansion Port	
Cache Memory (per Controller)	512MB – 2GB DDR	512MB – 2GB DDR	512MB – 2GB DDR	512MB – 2GB DDR
Battery Backup (Memory)	Yes	Yes	Yes	Yes
Redundant Power Supply	Yes	Yes	Yes	Yes
Redundant Fan Modules	Yes	Yes	Yes	Yes
Management	Text-based management utility via RS-232 or Telnet, or embedded RAIDWatch			
Software Support				

	Fibre SBOD	SAS JBOD			
	4G FC				
Product Image					
Model	F16F-J4000-R	S16S-J1000-R	S16S-J1000-S	S12S-J1002-R	S12S-J1000-G
Redundant Controller	Yes	Yes	Single upgradeable to redundant	Yes	No
Form Factor	3U Rackmount	3U Rackmount	3U Rackmount	2U Rackmount	2U Rackmount
Drive Bays	16	16	16	12	12
Drive Type	4G FC	SAS / SATA-II 3Gb/s *	SAS / SATA-II 3Gb/s *	SAS / SATA-II 3Gb/s*	SAS / SATA-II 3Gb/s*
Host Channel	2CH, 4G FC, 4 x SFP (Loop Switching)				
Drive Channel	SAS 4x, 4 x (SFF-8470)		SAS 4x, 2 x (SFF-8470)	R: SAS 4x, 4 x (SFF-8088)	SAS 4x, 2 x (SFF-8470)
Expansion Channel					
RAID Engine	Managed by RAID				
RAID Levels	Managed by RAID				
Cache Memory (Per Controller)	Managed by RAID				
Battery Backup (Memory)	Managed by RAID				
Management	Managed by RAID				
Redundant Power Supply	Yes	Yes	Yes	Yes	Yes
Software Support	Managed by RAID				

* Depending on connected RAID model, to support SAS or SATA-II drives.

	Fibre to SAS Subsystem			
	4G FC	4G FC	4G FC	4G FC
Product Image				
Model	S16F-R1430	S16F-G1430	S12F-G1433	S12F-R1420 S12F-G1420
Controller	Redundant	Single	Single	Redundant Single
Form Factor	3U Rackmount	3U Rackmount	2U Rackmount	2U Rackmount
Drive Bays	16	16	12	12
Max. Number of Drives	64	80	60	12
RAID Engine	ASIC400	ASIC400	ASIC400	ASIC266
RAID Levels	0, 1(0+1), 3, 5, 6, 10, 30, 50, 60	0, 1(0+1), 3, 5, 6, 10, 30, 50, 60	0, 1(0+1), 3, 5, 6, 10, 30, 50, 60	0, 1(0+1), 3, 5, 6, 10, 30, 50, 60
Host Channel	4CH, 4G FC, 8 x SFP with Hub function		2CH, 4G FC, 4 x SFP with Hub function	
Drive Channel	SAS / SATA-II 3Gb/s		SAS / SATA-II 3Gb/s	
Expansion Channel	SAS 4x, 2 x (SFF-8470)		SAS 4x, 1 x (SFF-8088)	
Cache Memory (per Controller)	512MB – 2GB DDR		512MB – 2GB DDR	
Battery Backup (Memory)	Yes	Optional	Yes	Optional
Redundant Power Supply	Yes	Yes	Yes	Yes
Redundant Fan Modules	Yes	Yes	Yes	Yes
Management	Text-based management utility via RS-232 or Telnet, or embedded RAIDWatch			
Software Support				

Fibre to SATA RAID Subsystem				
Product Image	4G FC	4G FC	4G FC	4G FC
Model	A24F-R2430	A24F-G2430	A16F-R2431	A16F-G2430
Controller	Yes	No	Yes	No
Form Factor	4U Rackmount	4U Rackmount	3U Rackmount	3U Rackmount
Drive Bays	24	24	16	16
Max. Number of Drives	56	88	16	16
RAID Engine	ASIC400	ASIC400	ASIC400	ASIC400
RAID Levels	0, 1(0+1), 3, 5, 6, 10, 30, 50, 60	0, 1(0+1), 3, 5, 6, 10, 30, 50, 60	0, 1(0+1), 3, 5, 6, 10, 30, 50, 60	0, 1(0+1), 3, 5, 6, 10, 30, 50, 60
Host Channel	4CH, 4G FC, 8 x SFP with Hub function	2CH, 4G FC, 2 x SFP with Hub function	4CH, 4G FC, 8 x SFP with Hub function	2CH, 4G FC, 2 x SFP
Drive Channel	SAS / SATA-II 3Gb/s	SAS / SATA-II 3Gb/s	SAS / SATA-II 3Gb/s	SAS / SATA-II 3Gb/s
Expansion Channel	SAS 4x, 2 x (SFF-8470)	SAS 4x, 1 x (SFF-8470)	-	-
Cache Memory (per Controller)	512MB – 2GB DDR	512MB – 2GB DDR	512MB – 2GB DDR	512MB – 2GB DDR
Battery Backup (Memory)	Yes	Optional	Yes	Optional
Redundant Power Supply	Yes	Yes	Yes	Yes
Redundant Fan Modules	Yes	Yes	Yes	Yes
Management	Text-based management utility via RS-232 or Telnet, or embedded RAIDWatch			
Software Support				
Fibre to SATA RAID Subsystem		Fibre to 2.5" SAS RAID Subsystem		
Product Image	4G FC	4G FC	4G FC	4G FC
Model	A12F-G2422	A08F-G2422	B12F-R1430	B12F-G1430
Redundant Controller	No	No	Yes	No
Form Factor	2U Rackmount	2U Rackmount	1U Rackmount	1U Rackmount
Drive Bays	12	8	12	12
Max. Number of Drives	12	8	48 (2.5" SAS) / 12 (2.5" SAS) + 48 (SATA-II 3Gb/s) ASIC400	60 (2.5" SAS) / 12 (2.5" SAS) + 64 (SATA-II 3Gb/s) ASIC400
RAID Engine	ASIC266	ASIC266	ASIC400	ASIC400
RAID Levels	0, 1(0+1), 3, 5, 10, 30, 50	0, 1(0+1), 3, 5, 10, 30, 50	0, 1(0+1), 3, 5, 6, 10, 30, 50, 60	0, 1(0+1), 3, 5, 6, 10, 30, 50, 60
Host Channel	2CH, 4G FC, 2 x SFP	2CH, 4G FC, 2 x SFP	4CH, 4G FC, 4 x SFP	2CH, 4G FC, 2 x SFP
Drive Channel	SATA-II 3Gb/s	SATA-II 3Gb/s	2.5" SAS	2.5" SAS
Expansion Channel	-	-	SAS 4x, 2 x (SFF-8088)	SAS 4x, 1 x (SFF-8088)
Cache Memory (per Controller)	512MB – 2GB DDR	512MB – 2GB DDR	512MB – 2GB DDR	512MB – 2GB DDR
Battery Backup (Memory)	Optional	Optional	Yes	Optional
Redundant Power Supply	Yes	Yes	Yes	Yes
Redundant Fan Modules	Yes	Yes	Yes	Yes
Management	Text-based management utility via RS-232 or Telnet, or embedded RAIDWatch			
Software Support				
2.5" SAS RAID Subsystem		2.5" SAS JBOD		
Product Image				
Model	B12S-R1030	B12S-G1030	B12S-J1000-R	B12S-J1000-S
Redundant Controller	Yes	No	Yes	Single upgradeable to redundant
Form Factor	1U Rackmount	1U Rackmount	1U Rackmount	1U Rackmount
Drive Bays	12	12	12	12
Max. Number of Drives	48 (2.5" SAS) / 12 (2.5" SAS) + 48 (SATA-II 3Gb/s)	60 (2.5" SAS) / 12 (2.5" SAS) + 64 (SATA-II 3Gb/s)	12 (2.5" SAS)	12 (2.5" SAS)
RAID Engine	ASIC400	ASIC400	Managed by RAID	
RAID Levels	0, 1(0+1), 3, 5, 6, 10, 30, 50, 60	0, 1(0+1), 3, 5, 6, 10, 30, 50, 60	Managed by RAID	
Host Channel	2CH, SAS 4x, 4 x (SFF-8088)	2CH, SAS 4x, 2 x (SFF-8088)	SAS 4x, 4 x (SFF-8088)	SAS 4x, 2 x (SFF-8088)
Drive Channel	2.5" SAS	2.5" SAS	Managed by RAID	
Expansion Channel	SAS 4x, 2 x (SFF-8088)	SAS 4x, 1 x (SFF-8088)	Managed by RAID	
Cache Memory (per Controller)	512MB – 2GB DDR	512MB – 2GB DDR	Managed by RAID	
Battery Backup (Memory)	Yes	Optional	Managed by RAID	
Redundant Power Supply	Yes	Yes	Yes	Yes
Redundant Fan Modules	Yes	Yes	Yes	Yes
Management	Text-based management utility via RS-232 or Telnet, or embedded RAIDWatch			
Software Support			Managed by RAID	

SAS to SAS RAID Subsystem				
Product Image				
Model	S16S-R1030	S16S-G1030	S12S-R1032	S12S-G1030
Redundant Controller	Yes	No	Yes	No
Form Factor	3U Rackmount	3U Rackmount	2U Rackmount	2U Rackmount
Drive Bays	16	16	12	12
Max. Number of Drives	64	80	48	60
RAID Engine	ASIC400	ASIC400	ASIC400	ASIC400
RAID Levels	0, 1(0+1), 3, 5, 6, 10, 30, 50, 60	0, 1(0+1), 3, 5, 6, 10, 30, 50, 60	0, 1(0+1), 3, 5, 6, 10, 30, 50, 60	0, 1(0+1), 3, 5, 6, 10, 30, 50, 60
Host Channel	2CH, SAS 4x, 4 x (SFF-8470)	2CH, SAS 4x, 2x (SFF-8470)	2CH, SAS 4x, 4 x (SFF-8088)	2CH, SAS 4x, 2 x (SFF-8470)
Drive Channel	SAS / SATA-II 3Gb/s	SAS / SATA-II 3Gb/s	SAS / SATA-II 3Gb/s	SAS / SATA-II 3Gb/s
Expansion Channel	SAS 4x, 2 x (SFF-8470)	SAS 4x, 1 x (SFF-8470)	SAS 4x, 2 x (SFF-8088)	SAS 4x, 1 x (SFF-8470)
Cache Memory (per Controller)	512MB – 2GB DDR	512MB – 2GB DDR	512MB – 2GB DDR	512MB – 2GB DDR
Battery Backup (Memory)	Yes	Optional	Yes	Optional
Redundant Power Supply	Yes	Yes	Yes	Yes
Redundant Fan Modules	Yes	Yes	Yes	Yes
Management	Text-based management utility via RS-232 or Telnet, or embedded RAIDWatch			
Software Support				
SAS to SAS		SAS to SATA RAID Subsystem		
Product Image				
Model	S12S-G1033	A24S-R2130	A24S-G2130	A16S-G2130
Redundant Controller	No	Yes	No	No
Form Factor	2U Rackmount	4U Rackmount	4U Rackmount	3U Rackmount
Drive Bays	12	24	24	16
Max. Number of Drives	60	56	88	16
RAID Engine	ASIC400	ASIC400	ASIC400	ASIC400
RAID Levels	0, 1(0+1), 3, 5, 6, 10, 30, 50, 60	0, 1(0+1), 3, 5, 6, 10, 30, 50, 60	0, 1(0+1), 3, 5, 6, 10, 30, 50, 60	0, 1(0+1), 3, 5, 6, 10, 30, 50, 60
Host Channel	2CH, SAS 4x, 2 x (SFF-8088)	2CH, SAS 4x, 8 x (SFF-8088)	2CH, SAS 4x, 4 x (SFF-8088)	2CH, SAS 4x, 4 x (SFF-8088)
Drive Channel	SAS / SATA-II 3Gb/s	SATA-II 3Gb/s	SATA-II 3Gb/s	SATA-II 3Gb/s
Expansion Channel	SAS 4x, 1 x (SFF-8088)	SAS 4x, 2 x (SFF-8088)	SAS 4x, 1 x (SFF-8088)	-
Cache Memory (per Controller)	512MB – 2GB DDR	512MB – 2GB DDR	512MB – 2GB DDR	256MB – 2GB DDR
Battery Backup (Memory)	Optional	Yes	Optional	Optional
Redundant Power Supply	Yes	Yes	Yes	Yes
Redundant Fan Modules	Yes	Yes	Yes	Yes
Management	Text-based management utility via RS-232 or Telnet, or embedded RAIDWatch			
Software Support				
SAS to SATA RAID Subsystem				
Product Image				
Model	A12S-G2130	A08S-G2130	A08S-C2132	A08S-C2131
Redundant Controller	No	No	No	No
Form Factor	2U Rackmount	2U Rackmount	Tower or Desktop (Convertible)	Tower or Desktop (Convertible)
Drive Bays	12	8	8	8
Max. Number of Drives	12	8	8	8
RAID Engine	ASIC400	ASIC400	ASIC400	ASIC400
RAID Levels	0, 1(0+1), 3, 5, 6, 10, 30, 50, 60	0, 1(0+1), 3, 5, 6, 10, 30, 50, 60	0, 1(0+1), 3, 5, 6, 10, 30, 50, 60	0, 1(0+1), 3, 5, 6, 10, 30, 50, 60
Host Channel	2CH, SAS 4x, 2 x (SFF-8088)	2CH, SAS 4x, 2 x (SFF-8088)	2CH, SAS 4x, 2 x (SFF-8088)	1CH, SAS 4x, 1 x (SFF-8088)
Drive Channel	SATA-II 3Gb/s	SATA-II 3Gb/s	SATA-II 3Gb/s	SATA-II 3Gb/s
Expansion Channel	-	-	-	-
Cache Memory (per Controller)	256MB – 2GB DDR	256MB – 2GB DDR	256MB – 1GB DDR	256MB – 1GB DDR
Battery Backup (Memory)	Optional	Optional	Optional	Optional
Redundant Power Supply	Yes	Yes	Yes	-
Redundant Fan Modules	Yes	Yes	Yes	Yes
Management	Text-based management utility via RS-232 or Telnet, or embedded RAIDWatch			
Software Support				

	SCSI to SCSI RAID Subsystem		iSCSI to SATA RAID Subsystem	
Product Image				
Model	U16U-G4020	U12U-G4020	A16E-G2130	A12E-G2121
Redundant Controller	No	No	No	No
Form Factor	3U Rackmount	2U Rackmount	3U Rackmount	2U Rackmount
Drive Bays	16	12	16	12
Max. Number of Drives	16	12	16	12
RAID Engine	ASIC266	ASIC266	ASIC400	ASIC266
RAID Levels	0, 1(0+1), 3, 5, 10, 30, 50	0, 1(0+1), 3, 5, 10, 30, 50	0, 1(0+1), 3, 5, 6, 10, 30, 50, 60	0, 1(0+1), 3, 5, 10, 30, 50
Host Channel	2CH, SCSI-320, 4 x VHDCI	2CH, SCSI-320, 4 x VHDCI	4CH, 1Gb Ethernet, 4 x (RJ-45)	2CH, 1Gb Ethernet, 2 x (RJ-45)
Drive Channel	SCSI-320	SCSI-320	SATA-II 3Gb/s	SATA-II 3Gb/s
Expansion Channel	-	-	-	-
Cache Memory (per Controller)	256MB – 2GB DDR	256MB – 2GB DDR	512MB – 2GB DDR	512MB – 2GB DDR
Battery Backup (Memory)	Optional	Optional	Optional	Optional
Redundant Power Supply	Yes	Yes	Yes	Yes
Redundant Fan Modules	Yes	Yes	Yes	Yes
Management	Text-based management utility via RS-232 or Telnet, or embedded RAIDWatch			
Software Support				

	iSCSI to SAS	SCSI to SATA RAID Subsystem		
Product Image				
Model	S16E-G1130	A24U-G2421	A16U-G2430	A12U-G2421
Redundant Controller	no	No	No	No
Form Factor	3U Rackmount	4U Rackmount	3U Rackmount	2U Rackmount
Drive Bays	16	24	16	12
Max. Number of Drives	80	24	16	12
RAID Engine	ASIC400	ASIC266	ASIC400	ASIC266
RAID Levels	0, 1(0+1), 3, 5, 6, 10, 30, 50, 60	0, 1(0+1), 3, 5, 6, 10, 30, 50, 60	0, 1(0+1), 3, 5, 6, 10, 30, 50, 60	0, 1(0+1), 3, 5, 10, 30, 50, 60
Host Channel	4CH, 1Gb Ethernet, 4 x (RJ-45)	2CH, SCSI-320, 4 x VHDCI	2CH, SCSI-320, 4 x VHDCI	2CH, SCSI-320, 4 x VHDCI
Drive Channel	SAS / SATA-II 3Gb/s	SATA-II 3Gb/s	SATA-II 3Gb/s	SATA-II 3Gb/s
Expansion Channel	SAS 4x, 1 x (SFF-8088)	-	-	-
Cache Memory (per Controller)	512MB – 2GB DDR	512MB – 2GB DDR	256MB – 2GB DDR	256MB – 2GB DDR
Battery Backup (Memory)	Optional	Optional	Optional	Optional
Redundant Power Supply	Yes	Yes	Yes	Yes
Redundant Fan Modules	Yes	Yes	Yes	Yes
Management	Text-based management utility via RS-232 or Telnet, or embedded RAIDWatch			
Software Support				

	SCSI to SATA RAID Subsystem			
Product Image				
Model	A08U-G2421	A04U-G2421	A08U-G2412	A08U-G2411
Redundant Controller	No	No	No	No
Form Factor	2U Rackmount	1U Rackmount	Tower or Desktop (Convertible)	Tower or Desktop (Convertible)
Drive Bays	8	4	8	8
Max. Number of Drives	8	4	8	8
RAID Engine	ASIC266	ASIC266	ASIC400	ASIC266
RAID Levels	0, 1(0+1), 3, 5, 10, 30, 50, 60	0, 1(0+1), 3, 5, 10, 30, 50	0, 1(0+1), 3, 5, 10, 30, 50	0, 1(0+1), 3, 5, 10, 30, 50
Host Channel	2CH, SCSI-320, 4 x VHDCI	1CH, SCSI-320, 2 x VHDCI	2CH, SCSI-320, 4 x VHDCI	1CH, SCSI-320, 2 x VHDCI
Drive Channel	SATA-II 3Gb/s	SATA-II 3Gb/s	SATA-II 3Gb/s	SATA-II 3Gb/s
Expansion Channel	-	-	-	-
Cache Memory (per Controller)	256MB – 2GB DDR	256MB – 2GB DDR	128MB – 2GB DDR	128MB – 1GB DDR
Battery Backup (Memory)	Optional	-	Optional	Optional
Redundant Power Supply	Yes	– (Not hot-swappable)	Yes	–
Redundant Fan Modules	Yes	Yes (Not hot-swappable)	Yes	Yes
Management	Text-based management utility via RS-232 or Telnet, or embedded RAIDWatch			
Software Support				



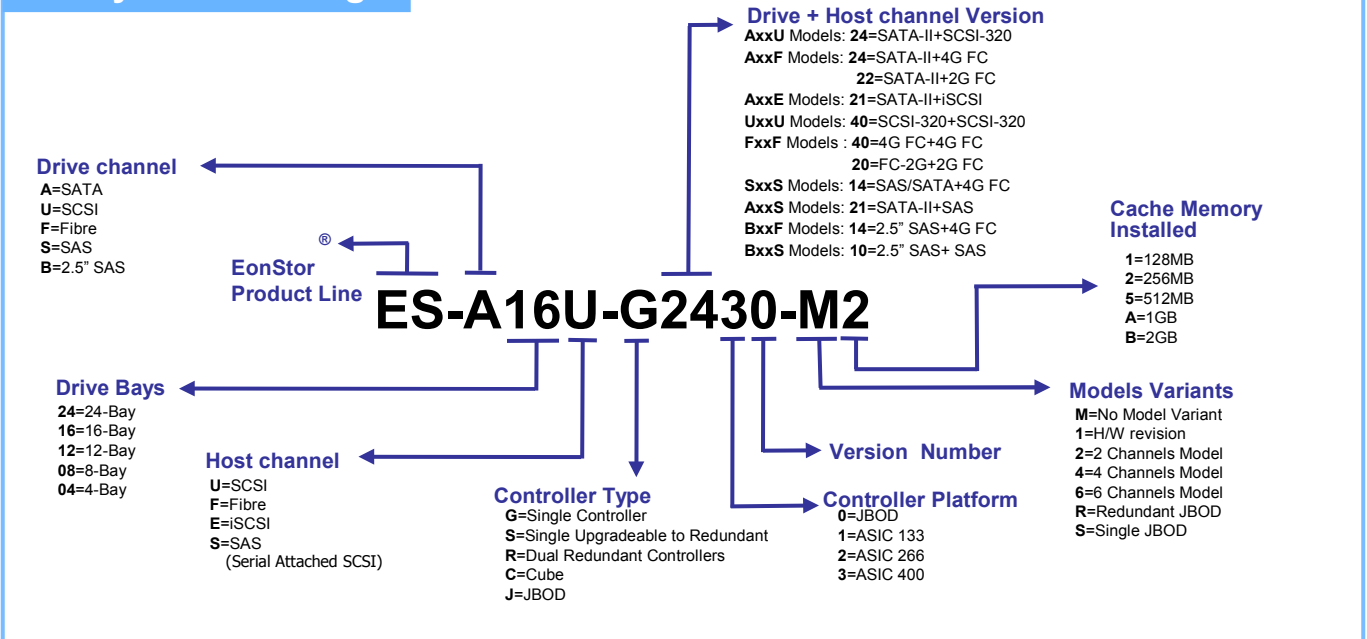
Infortrend SANWatch offers customers complete software tools to centrally manage EonStor RAID storage environment from any locations. Snapshot data service is the must-have function which can be added-on to SANWatch.

Features	Benefits
Centralized Management	Automatically discover all EonStor systems via Ethernet At-a-glance summary of all storage systems
Storage At-A-Glance	Full-featured over user-friendly graphical interface
Data Service	Snapshot back up / restore, more to come
Central Notification	Event notification via Email, Fax, SNMP traps, LAN broadcast, SMS and MSN
Multi-pathing	EonPath™ supports path redundancy and load-balancing



Infortrend provides a 30-day free trial program for the Snapshot data service. Please refer to http://www.infortrend.com/Request_Trial_Key/main.html for detailed trial information.

Subsystem Naming



• Copyright © 2008 by Infortrend Technology, Inc. All rights reserved.
 • Any information provided herein is without warranties of any kind of and is subject to change without prior notice.
 • Infortrend offers a 3-year limited warranty on subsystems and a 1-year warranty on battery backup units.
 • Optional warranty upgrades available.

• Infortrend and the Infortrend logo are registered trademarks of Infortrend Technology, Inc.
 • Eonstor, RAIDWatch, SANWatch and EonPath are registered trademarks of Infortrend Technology, Inc.
 • All other names, brands, or services are trademarks or registered trademarks of their respective owners.