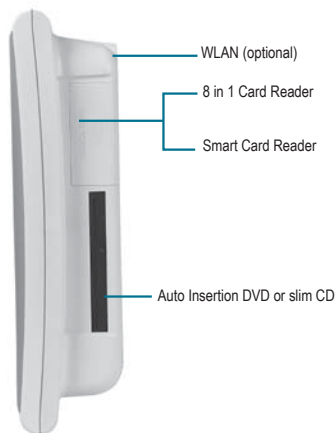
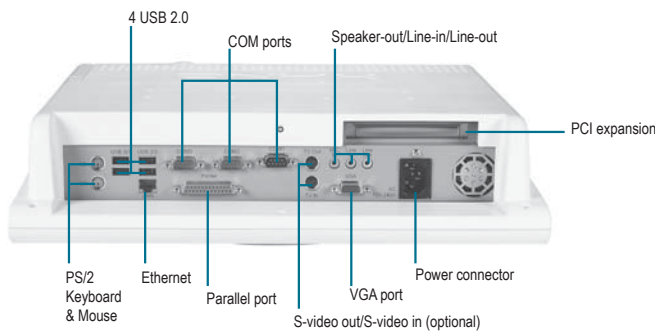


Low Noise Medical Station 19" 400 nits LCD with Pentium[®] M CPU



Features

- 19" True Color High Contrast 400 nits Medical LCD
- Integrated RFID Security and Smart Card Reader
- Total Telemedicine Solution
- Mini PCI Capture Card Supports Non-DICOM To DICOM CAM
- High Performance & Low Power System Solution
- 802.11g Wireless Antenna (Optional)

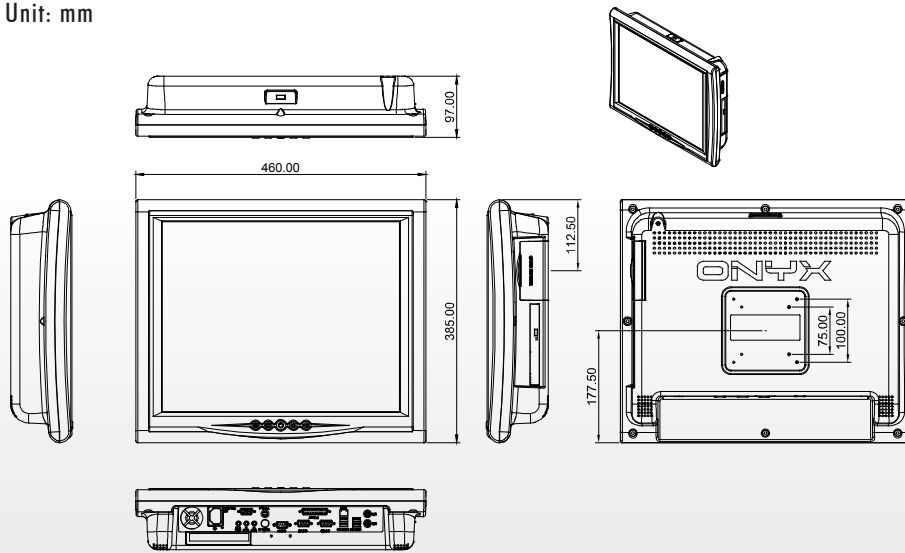


Specifications

Main Specifications	
Processor	Pentium [®] M up to 2.0 GHz
Memory	DDR up to 1GB
OS Support	MS DOS, Windows [®] 2000, Windows [®] XP
Expansion Interface	1 x PCI, 1 x Mini PCI
Drive Bay	1 x Slim DVD/CD, 1 x 2.5" Hard Disk Drive, 1 x 8 in 1 card reader
Display	
Size	19"
Resolution	1280 x 1024
Max. Colors	16.7M
Luminance	400 nits
Viewing Angle	150°(H)/ 130°(V)
Back Light MTBF	50,000 hrs
Touch Screen	Resistive / 2048 x 2048
I/O	
Audio	MIC-in, Line-in, Line-out
USB	5 x external and 2 x internal
Serial port	3 ports: 2 x RS-232, 1x RS-232/422/485
Parallel port	1
Keyboard & Mouse	1 x PS/2 Keyboard, 1 x PS/2 Mouse
Video	1 x S-video out/ 1 x S-video in (optional)
Speaker	2 speakers
Mechanical and Environmental	
Power Requirement	AC Model: 115/230 VAC
Operating Temperature	32°F ~ 104°F (0°C ~ 40°C)
Mounting	VESA 75/100
EMC	CE/FCC Class B, UL 60601-1, EN 60601-1

Dimension

Unit: mm



Ordering Information

- **Onyx-193HT-A1**
Medical Station, Pentium® M, 19" 400 nits TFT, 1P, AC, Card Reader, 1 Mini PCI
- **Onyx-193HTT-A1**
Onyx-193HT-A1 w/Resistive TouchScreen

Optional Accessories

- **9741666646**
Wireless LAN Kit
- **PER-V30C-A10**
Mini PCI Capture Card
- **AP-OT9789666626**
Fingerprint Scanner Kit
- **AP-OT9789666629**
RFID Reader Kit 125K
- **AP-OT9789666630**
RFID Reader Kit 13.56M
- **AP-OT9789666627**
Web CAM Kit
- **AP-OT9789666628**
USB Phone Kit
- **9761173001**
Smart Card Kit
- **978A666601**
Slim Auto Insertion DVD ROM, 8X, COMBO
- **AP-VR978A224E02**
Slim CD-RW/DVD ROM COMBO

01

Medical Station
Solutions
- ONYX Series

02

Medical Display
Solutions
- ONYX Series

03

Operator Panel
Solutions
- OMNI Series

04

Robust Panel PC
Solutions

05

Embedded
Controller -
Boxer S Series

06

Embedded
Controller
- BOXER Series

07

Industrial Monitor
Solutions

08

Sun-readable
& Vehicle LCD
Monitors

09

Industrial
Workstation
Solutions

10

Common
Accessories