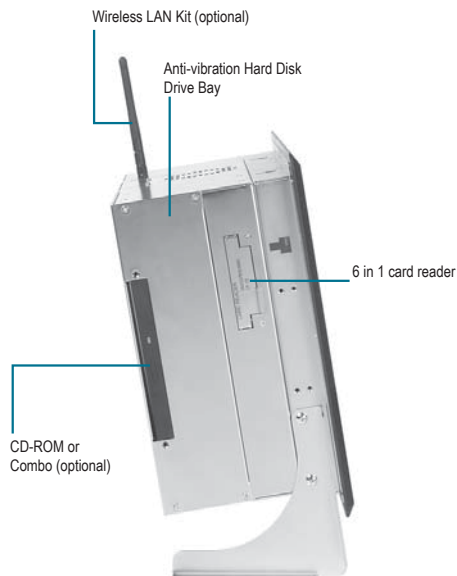
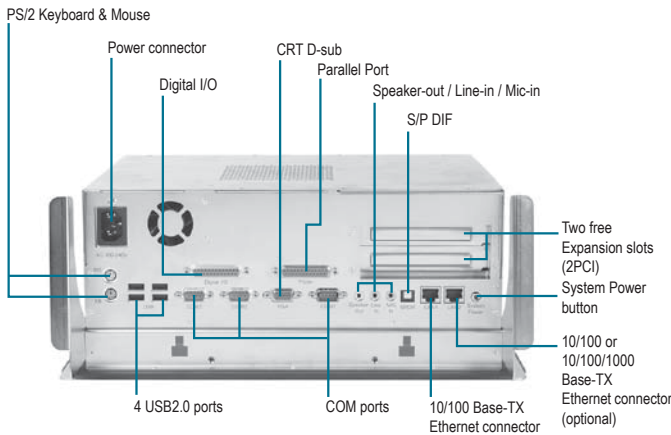
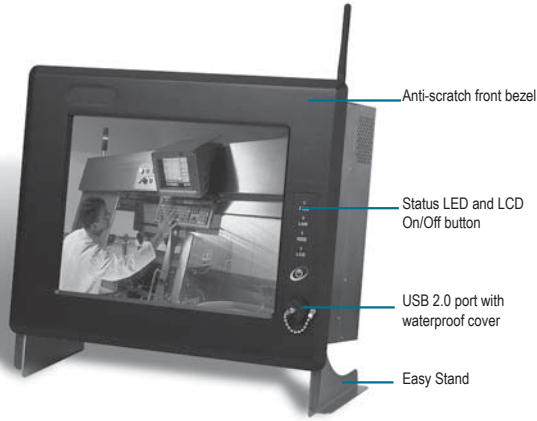


Intel® Pentium® 4 and Celeron® Processors-based Industrial Robust Panel PC with 12.1" TFT LCD and 2 Expansion Slots



Features

- 12.1" TFT SVGA (800 x 600) LCD
- Socket 478 based Intel® Pentium® 4 and Celeron® Processors
- Anti-vibration Disk Drive Bay for Hard Disk Drive
- Anti-scratch & Waterproof Aluminum Front Panel with USB Port has IP-65 Certification
- Up to 16 in or 16 out Digital I/O
- Two PCI Expansion Slots
- Resistive TouchScreen (optional)



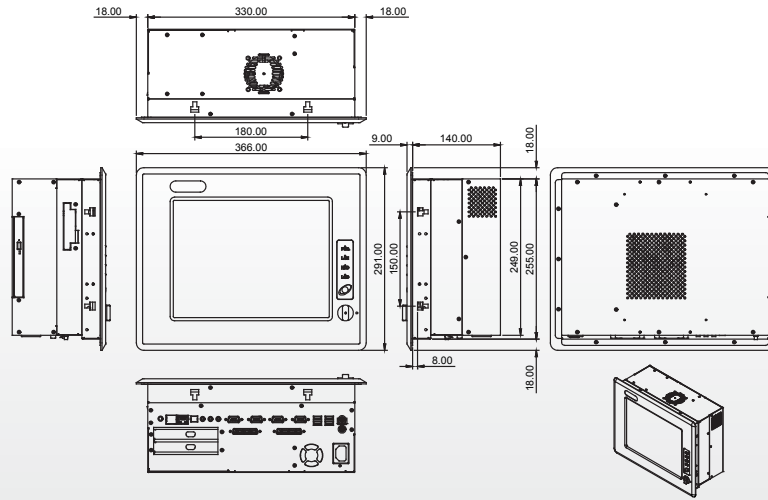
Specifications

System	
Processor	Socket 478-based Intel® Pentium® 4 and Celeron® processors
Memory	Supports up to 1GB 184-pin DDR SDRAM (200/266/333 MHz)
LCD/CRT Controller	Intel® i845GV, AGP 4X
Ethernet	Intel® 82562, 10/100Base-TX RJ-45 connector x 1
I/O Port	3 serial ports: 2 x RS-232, 1 x RS-232/422/485 (COM 4 is reserved for TouchScreen) 1 parallel port (supports ECP/EPP) 1 PS/2 mouse port 1 PS/2 keyboard port 1 VGA port 4 USB 2.0 ports (on rear chassis) 1 USB 2.0 port (on front panel) (protectable by BIOS) MIC-in, Line-in, Speaker-out, S/P DIF-out 1 digital I/O (Supports up to 16 in or 16 out)
Storage Disk Drive	Anti-vibration 2.5" Hard Disk Drive, Slim CD-ROM/Combo(optional), 6 in 1 card reader (support CompactFlash™ I/II, Secure Digital, Multi Media Card, Memory Stick (PRO) and Smart Media)
Expansion Slot	2 x PCI, 1 x Mini PCI
OS Support	Windows® 2000, Windows® XP, Windows® XP Embedded (optional)
Mechanical	
Construction	Heavy-duty steel chassis IP-65 certified anti-scratch aluminum front panel
Front Panel Color	PMS 2965C (Dark Blue)
Mounting	Panelmount, VESA 75/100mm holes (optional)
Dimension	14.4" (W) x 11.5" (H) x 5.9" (D) (366mm x 291mm x 149mm)
Carton Dimension	18.9" (W) x 17" (H) x 14.9" (D) (479mm x 431mm x 378 mm)
Gross Weight	30.8 lb (14Kg)
Environmental	
Operating Temperature	32°F~122°F (0°C to 50°C)
Storage Temperature	-4°F~140°F (-20°C to 60°C)
Storage Humidity	10% to 90%@ 35°C, non-condensing
Vibration	Random operation 1.5G, 5~500Hz
Shock	15G peak acceleration (11 msec. Duration)
EMC	CE/FCC Class B

Dimension

Unit: mm

Cut Size: 333 x 260 mm



Power Supply	
AC input 250W (with Active PFC)	Input: 115V AC ~ 230V AC@47~63Hz Output (Max.): +5V@20A, +12V@16A, -12V@0.5A
LCD	
Display Type	12.1" TFT LCD
Max. Resolution	800 x 600
Max. Colors	256K
Dot Size	0.3075mm x 0.3075mm
Luminance	350 cd/m ² (TYP.)
Viewing Angle	140°(H) / 120°(V)
Back Light MTBF	50,000 hrs
TouchScreen (optional)	
Type	8-wire, Analog Resistive
Resolution	2048 x 2048
Light Transmission	75%
Lifetime	1 million activations
OS Support	Windows® 2000, Windows® XP, Windows® XP Embedded (optional)

Ordering Information

- **APC-8122HT-A1**
Pentium® 4/Celeron® Panel PC with 12.1" TFT, AC Power Supply, Card Reader, Two Free Expansion Slot
- **APC-8122HTT-A1**
APC-8122HT-A1 with Resistive TouchScreen
- **APC-8122HTT-P1**
APC-8122HTT-A1 with Windows® XP Embedded (English) on 512MB DOM

Optional Accessories

- **ARM-LA0115**
Swivel arm with VESA 75/100mm Standards, Weight Capacity: 8-15 kgs
- **ARM-WK075-0**
Wallmount Kit with VESA 75/100mm Standards
- **M018122070**
VESA 75/100mm Mounting Bracket
- **9741666646**
Wireless LAN Kit, IEEE802.11b/g, with Antenna
- **PER-V30C-A10-01**
Video Capture Card Kit
- **1759200158**
CPU Cooler for Pentium® 4 CPU
- **Slim CD-ROM/ COMBO/ DVD-ROM**
- **2.5" Hard Disk Drive**
- **9761815202**
10/100 Base-TX Ethernet Kit, Realtek 8100C
- **9761815203**
10/100/1000 Base-TX Ethernet Kit, Realtek 8110S
- **184-pin DDR SDRAM**
- **Windows® XP Embedded(English)**

01
Medical Station Solutions - ONYX Series

02
Medical Display Solutions - ONYX Series

03
Operator Panel Solutions - OMNI Series

04
Robust Panel PC Solutions

05
Embedded Controller - Boxer S Series

06
Embedded Controller - BOXER Series

07
Industrial Monitor Solutions

08
Sun-readable & Vehicle LCD Monitors

09
Industrial Workstation Solutions

10
Common Accessories